

ARCHITECTURAL ZINC

Superior performance for superior design

Jarden Zinc's Cassette Panel System

The Jarden Zinc Cassette Panel System allows you to create a modern yet timeless facade with crisp clean lines. Choose from panel depths of 1", 1.25" and 1.5" and reveal options of 0.5" to 6" allowing for creative freedom in your facade design.

Installation is simple using expansion clips, which allow for thermal movement, and an optional galvanized or aluminum Rain Screen sub-framing system.

Available in Architectural Series, Presidential Series and Zahner® Series finishes.



jardenzinc.com

ARCHITECTURAL ZINC

Contact our sales team for more information about our company and products.

Toll-Free:
(800) 251-7506

Phone:
(423) 639-8111

Fax:
(423) 639-3125

Email:
sales@jardenzinc.com

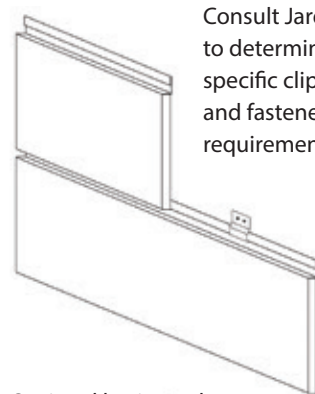
Website:
jardenzinc.com

Address:
Jarden Zinc
P.O. Box 1890
Greeneville, TN 37744-1890



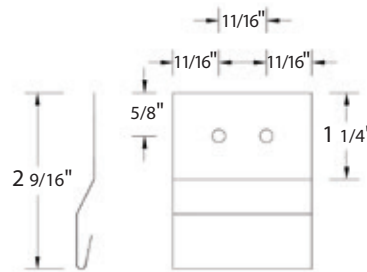
Superior performance for superior design

Cassette Panel System

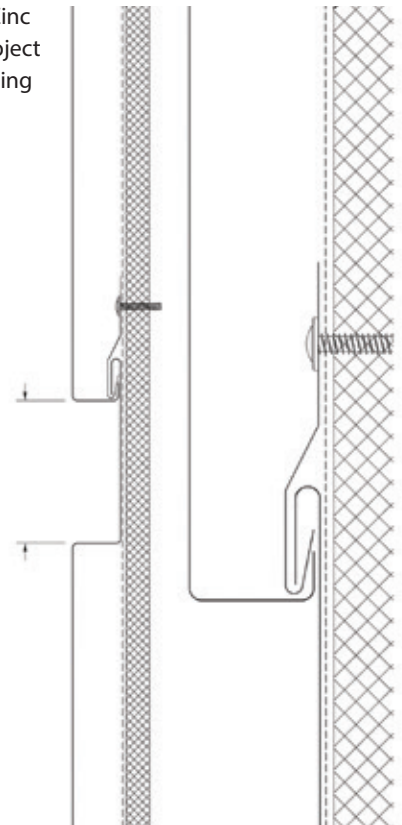


Consult Jarden Zinc to determine project specific clip spacing and fastener requirements.

Optional horizontal or vertical installation.



22 GA. TYP. Multiple clip gauges available, consult Jarden Zinc to determine project specific requirements.



Expanded view at hook and cleat engagement with clip

Specifications

Panel Width: 8" (203mm) up to 20" (508mm)

Panel Length: 1' (305mm) to 20' (6100mm)

Panel Reveal: 0.5" (13 mm) to 6" (152 mm)

Panel Depth: 1" (25.4 mm), 1.25" (32 mm) and 1.5" (38 mm)

Thickness: 0.031" (0.8mm) to 0.059" (1.5mm)

Alloy: Jarden Alloy 710 (EN988/ASTM1179)

Available Finishes: Architectural, Presidential, Zahner® Series

Clips: Stainless Steel or Galvanized Steel